

MINIK 10

MINIK 10 PIN/NFC

The Minik 10 is a versatile digital cam lock suitable for timber, plastic, or metal lockers and doors. It features user-changeable codes, a 10-year battery, and visual indicators for lock status.

With a 4-digit PIN, master program, and override code, the Minik 10 offers robust security. Packed features in a small frame, make it an ideal security solution for any application.



FEATURES

Type

- Digital cam lock

Material, Colour & Mounting

- Black/White
- Vertical or LH/RH Horizontal mounting options
- Suits timber, plastic, or metal lockers and doors

Combination

- User changeable code

Batteries

- 3V lithium battery with a life expectancy of up to 10 years (included)

Locking mechanism

- 38mm cam tongue operation

Features

- Master program and override code
- Service Override Code
- 4 digit user PIN (10,000 possible combinations)
- Public share one-time use or permanent private use
- Visual in use indicators (Red locked/Green open)
- Automatic low battery prompts
- Emergency external power input
- MOQ trade discounts

Optional

- Right angle striker plate
- External emergency power device tool
- Hopinlock management app
- ABS protective lock cover

APPLICATIONS



Gyms



End of trip



Hospitals



Schools



University



Offices

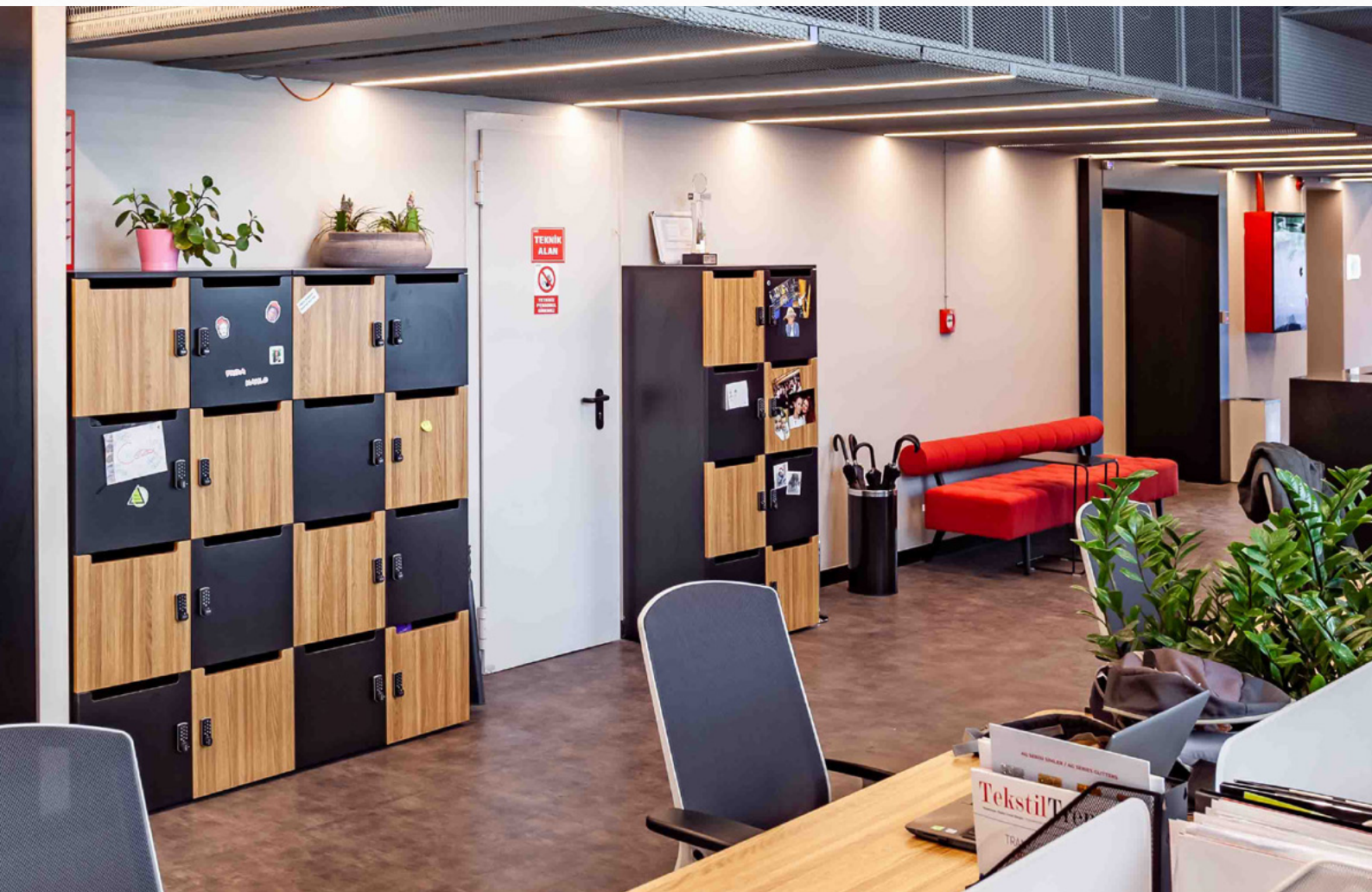
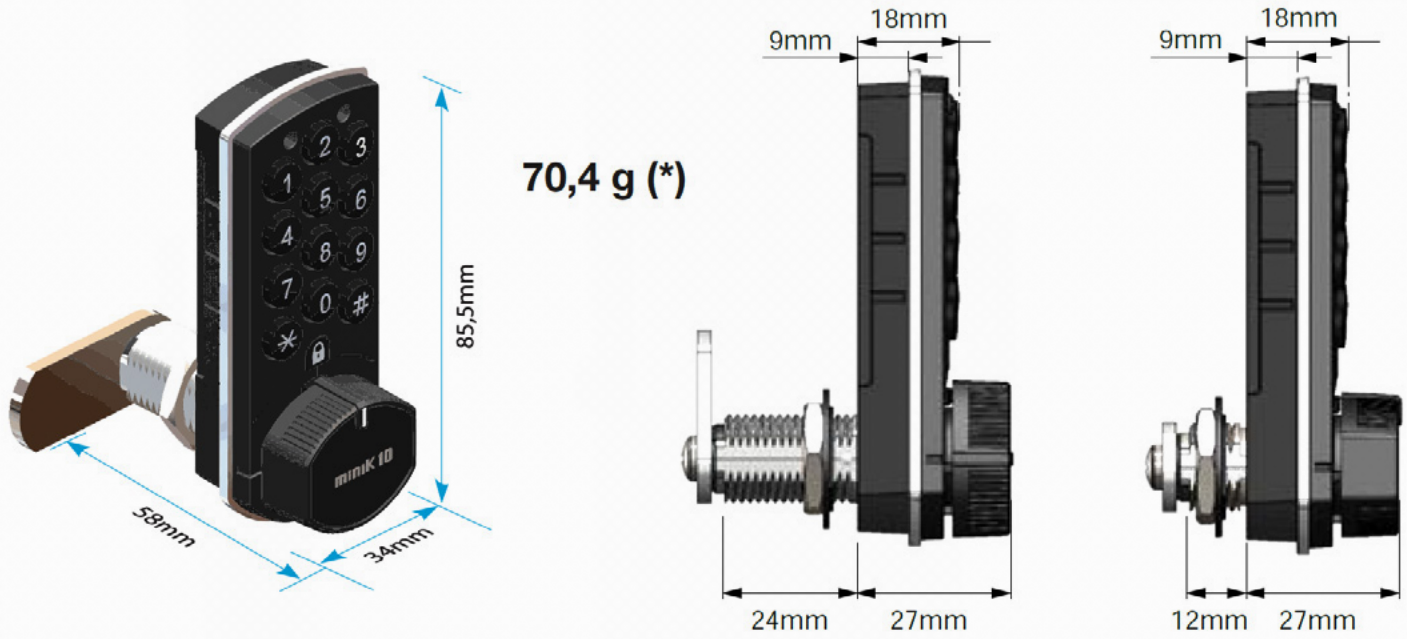


Mines



Cabinets

DIMENSIONS



Secure your space with confidence. Upgrade to the MiniK 10 Digital Lock from KSQ today. Contact us at 1300 311 556 or email sales@ksq.com.au to learn more. Visit www.ksq.com.au to explore our range of security solutions.

Peace of mind is just a call away.