



COMBINATION LOCKER LOCK

AL-200L

KSQ's The AL200 Combination Locker Lock Model is a budget-priced mechanical combination cam lock with Master override keys and code discovery feature.

Made from a high-quality matt-black ABS robust casing featuring black dials and large contrasting white numbers.

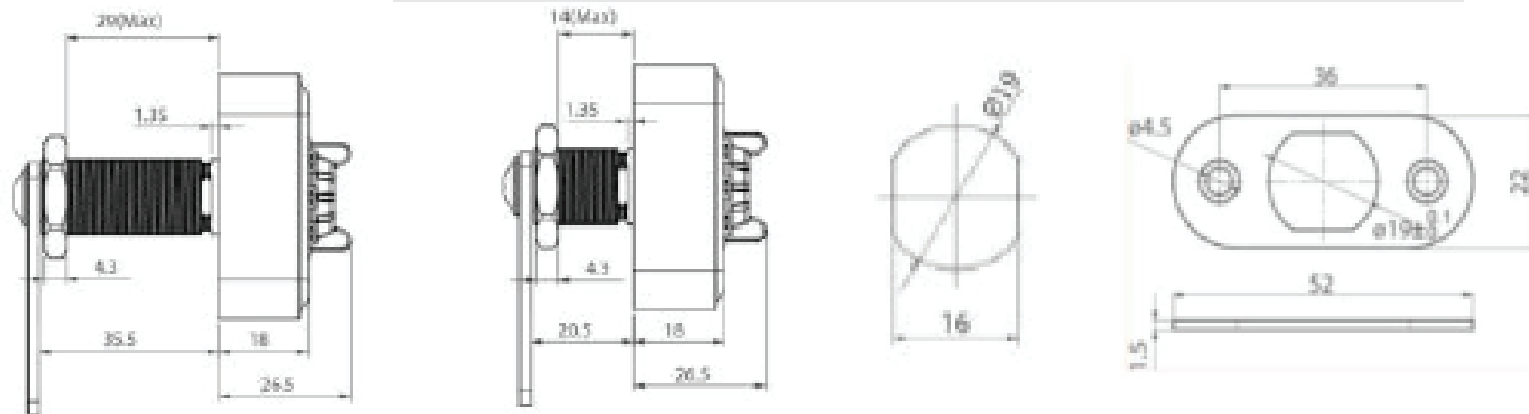
The AL200 features 3 wheel combination, with up to 1,000 possible combinations.



FEATURES & OPTIONS

- Mechanical digital combination cam lock
- Suit timber, plastic or metal lockers and doors
- Cam tongue operation with optional cams to suit sliding, offset, tambours
- 3 wheel combination dials with large white numbers on a black background
- Up to 1,000 possible combination codes
- Master override key for security and safety inspections (sold separately)
- Unknown code discovery feature for revealing the lock combination when unknown or forgotten
- In use indicators (Red locked/Green open)
- No batteries to change every couple of years
- Various straight and offset cams available.

Lock Case Dimensions H50mm x W50mm x D18mm
Cylinder Lengths Model AL-200L 29mm Model AL-200S 14mm
 Red "Locked" and Green "Unlocked" indicators for user friendly winged turn knob
 19mm Double "Dee" door preparation for easy retrofit of existing key operated cam locks
 Includes Secure Double "Dee" back-plate to prevent lock being rotated sideways to open
 Available in 2 cylinder lengths to suit 15mm and 18mm timber doors
 Includes Cam, Hex nut for timber doors and/or Spring clip for Metal locker installations



As Used For

 Gyms	 Cabinets
 Schools	 Mines
 Hospitals	 Universities
 Offices	 Libraries

November 2022
ABN 61 102 798 381