



TOUCH SCREEN DIGITAL LOCKER LOCK

KM1603-BPMK

NEW Model with Master Override Key

KSQ's KM-1603BPMK Digital Cam lock features a Touchscreen keypad for PIN operation.

It's the perfect affordable retrofit for upgrading conventional Key Operated Cam Locks

PINS can be set between 4-15 digits and easily changed by users without any special tools

The KM1603-BPMK can be switched between public and private modes in seconds by Master PIN at the Keypad

Simple Battery changes without having to remove lock from doors

Black ABS durable construction makes KM1603-BPMK a very affordable digital locker that suits most locker applications.

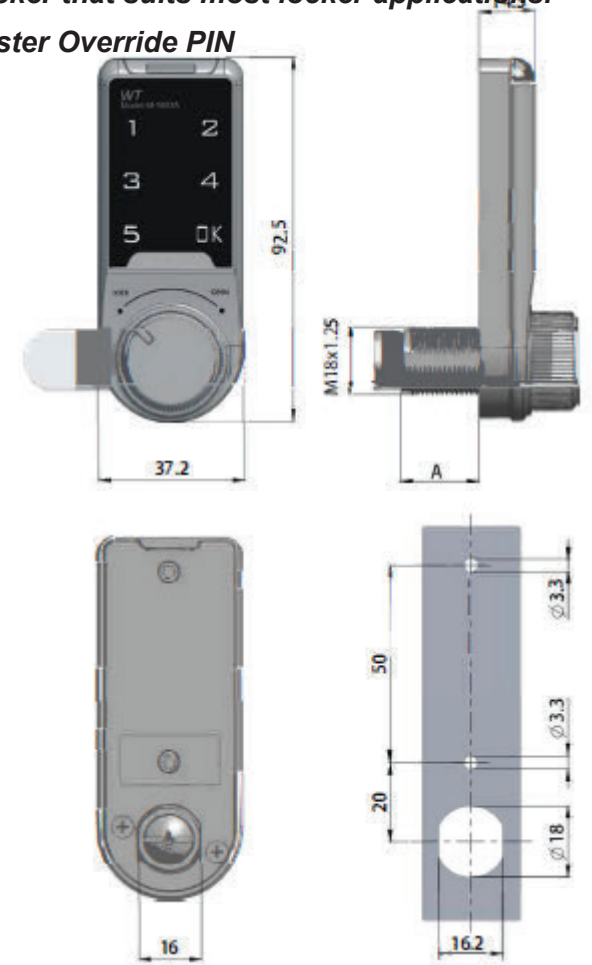
Features a mechanical Master override key as well as a Master Override PIN

FEATURES & OPTIONS

- Touchscreen keypad with Pins from 4-15 digits, easily changed by users.
- Non-volatile memory when powered down or between battery changes.
- Powered by a single Lithium CR2032 cell battery (not included)
- Automatic low battery prompts.
- Incorrect PIN alarm and keypad timed shutdown after four wrong attempts
- Fake PIN password option. Enter any pin as lock as the last 4 digits are correct
- Can be set by the Master Pin for Private assigned Mode or Public share Users mode. Has blinking LED when locker is in use.
- If User Code is unknown lock can be opened mechanically by Master Key
- If Master Pin is unknown, lock can be reset to factory defaults by an Reset USB Dongle (sold separately)
- Available in Black only (silver model shown opposite now discontinued)
- Fixed PIN for Assigned Locker Users random One Time Code for Share Users
- Master Override Keys sold separately. Two supplied no charge with 100+ locks
- Excludes right angle striker plate (sold separately on request)



Includes Probe to remove Keyhole Cover



March 2023

ABN 61 102 798 381

DISCLAIMER: KeyWatch Systems QLD reserve the right to make any changes without notice to colour, dimensions, pricing and technical specifications. Please confirm prior to ordering.