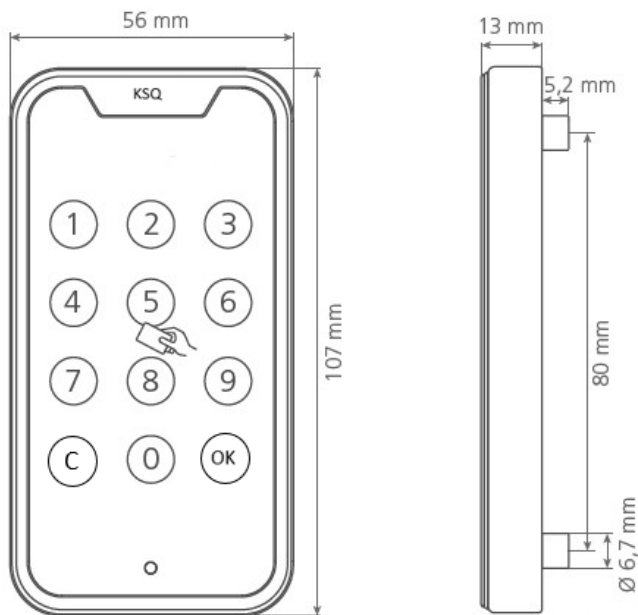
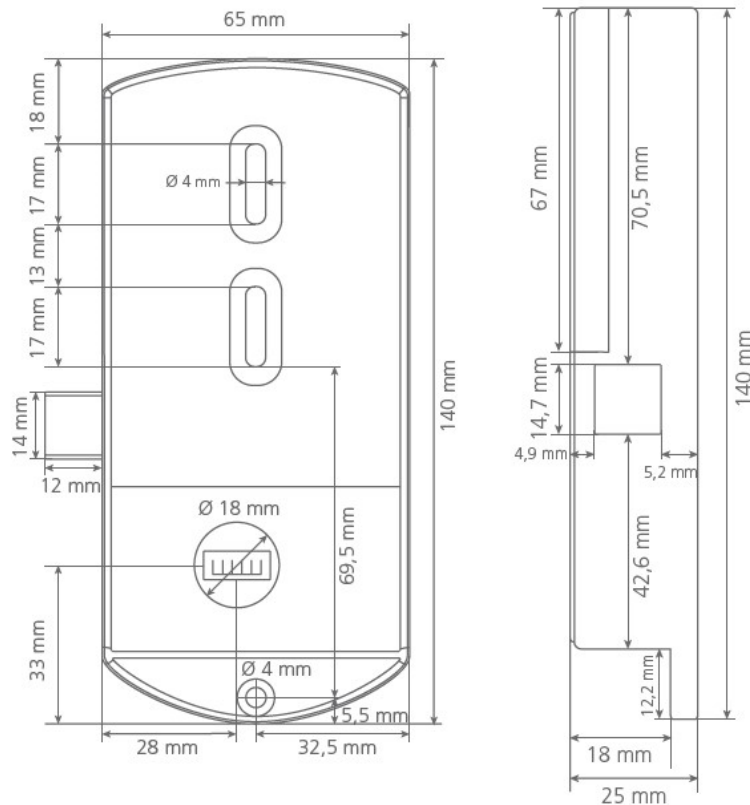


**KM3071 PPAO DRILL TEMPLATE AND KEYPAD BACK BOX DIMENSIONS**

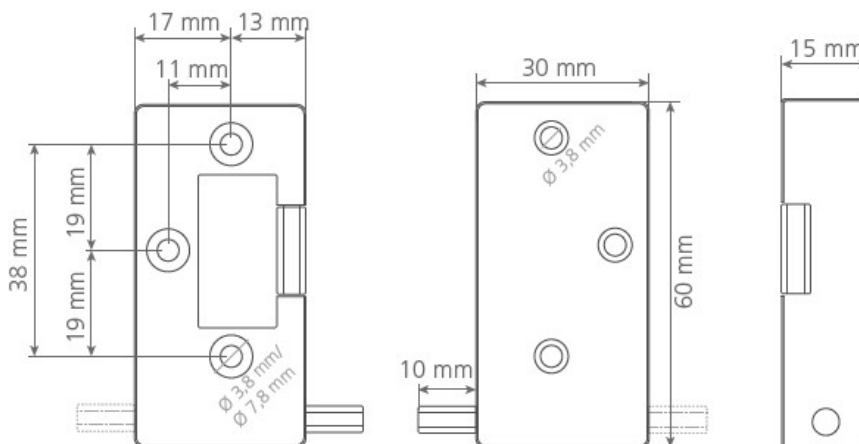
DRILL TEMPLATE FOR TOUCHSCREEN KEYPAD



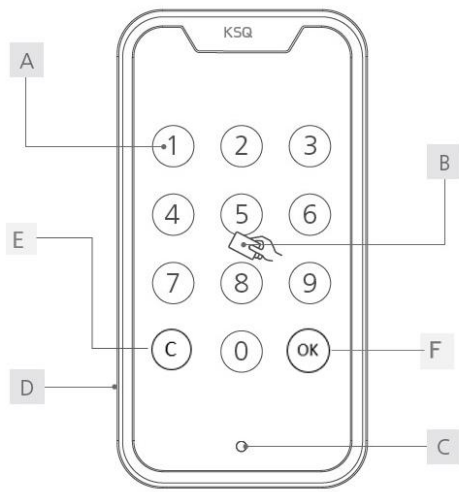
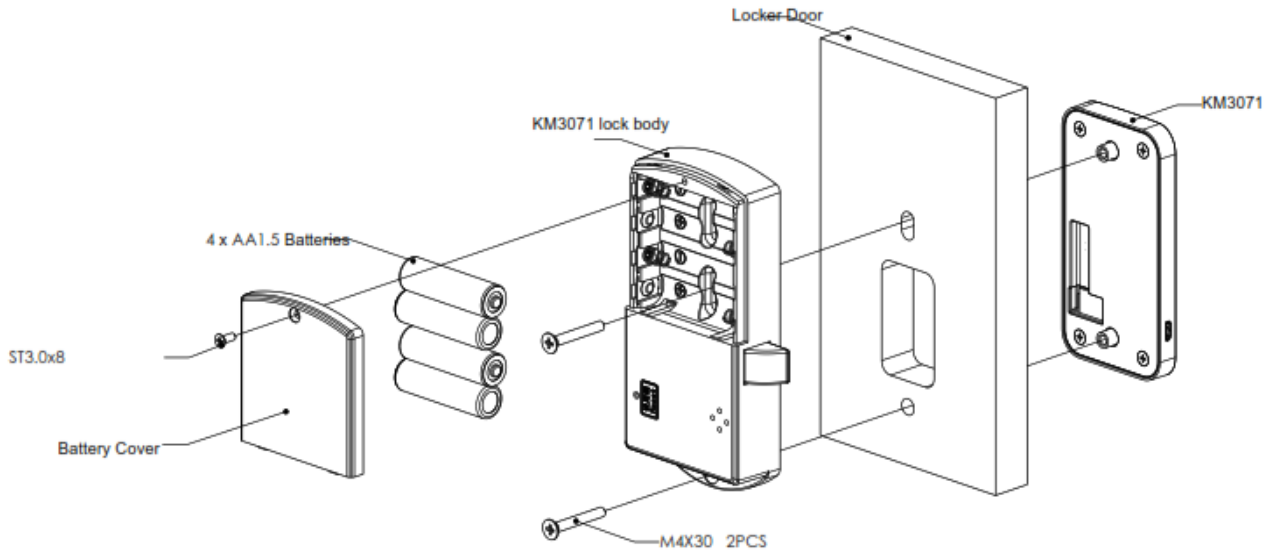
DRILL TEMPLATE FOR REAR LATCHBOX



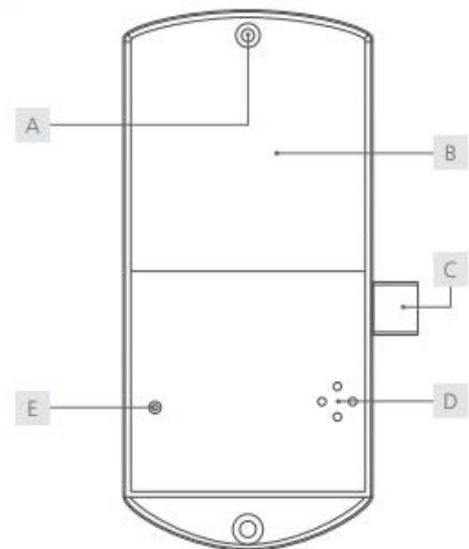
DRILL TEMPLATE FOR STRIKER PLATE



**KM3071 PPAO EXPLODED VIEW AND KEYPAD & BACK BOX FUNCTIONS**



- |                    |                 |
|--------------------|-----------------|
| A Touchpad buttons | C Status LED    |
| B RFID antenna     | D Mini-USB port |
| E Program button   | F Enter button  |



- |                       |             |
|-----------------------|-------------|
| A Battery cover screw | D Beeper    |
| B Battery cover       | E Resethole |
| C Locking bolt        |             |