



# DIGITAL LOCKER LOCK FOR TIMBER, PLASTIC AND METAL DOORS

## NEW KSQ 2000-DAO With Dual Technology Pin & RFID Card



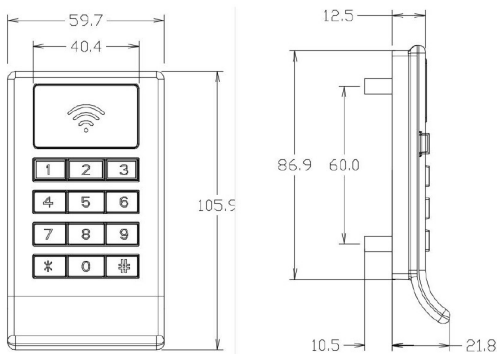
**KSQ2000-DAO**

**Anodized Matt Bronze and Polished Zinc**

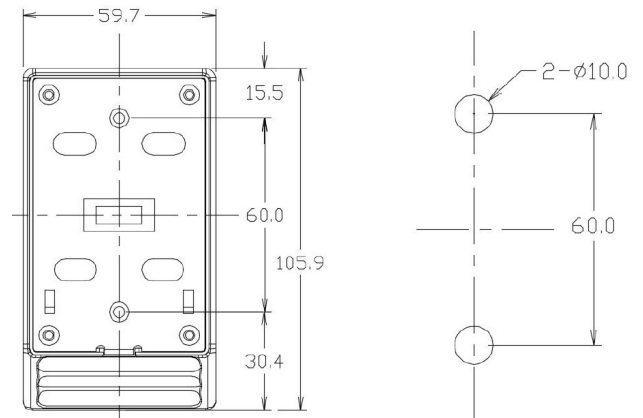
*KSQ's latest addition to its range of locker locks is the KSQ 2000-DAO. A sleek modern design manufactured from solid alloy to provide a quality heavy duty locker lock to last for years and years. Stand-alone battery powered with up to for up to 24 months operation it comes with a manufacturer's Two-Year Limited Warranty (excludes batteries) and packed with features that meet almost every locker application and door materials. Available in two new finishes, Anodized Matt Bronze and a Polished Zinc.*

### Features & Specifications

- **Tactile Back-lit Keypad and integrated RFID Reader for operation by Pin, Card, Fob or Wristband**
- **4-8 Digit Master Override PIN and a Master Override Fob. Also operates with self-adhesive RFID micro-cards for compatibility with other RFID Cards**
- **4 Level Access Owner Fob, Manager Fobs (3). Manager PIN, User PIN or User Fob (sold separately)**
- **Suitable for Assigned Private Lockers and One Time Temporary User Lockers**
- **Auto Open Timer to unlock between 0001 and 1440 minutes after being locked, to deter share locker users taking ownership of public lockers (e.g.. Gyms, Fitness Clubs, End of Trip Lockers Temporary Workers, Corporate and Government Offices, 24-7 self service businesses like Laundromats, Dry Cleaners etc.) Aquatic Centers, Hospitals, Correctional Visitation Lockers**
- **Anti Tamper Keypad Alarm and Latch tamper**
- **Emergency External Type-C USB Power Input**
- **(Optional Power Bank and USB sold separately)**
- **Low Battery Indicator**
- **Audible Visual annunciations for Programming and code changes.**
- **Blinking Intermittent LED for lockers that are in use**
- **Integrated Pull Handle**
- **Up to 18,000 operations from 3 x AA batteries (Not included)**
- **Includes Heavy-Duty Striker Plate with screws**
- **Optional special spacer for fitting Locks to metal lockers**



KSQ-2000DAO Keypad Dimensions



KSQ-2000DAO Backbox Dimensions and Drill template

March 2023

ABN 61 102 798 381

DISCLAIMER: KeyWatch Systems QLD reserve the right to make any changes without notice to colour, dimensions, pricing and technical specifications. Please confirm prior to ordering.