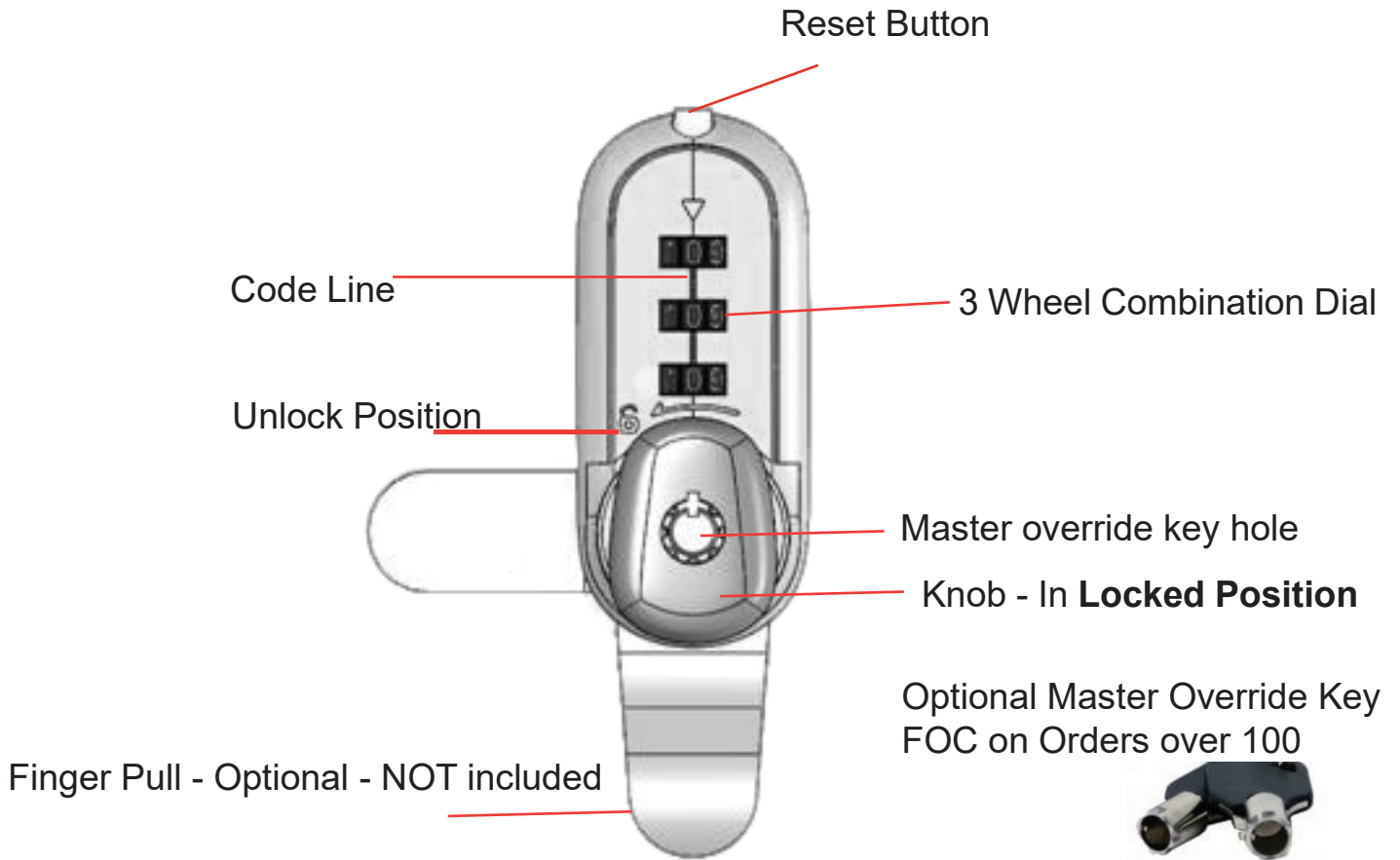




KSQ 7449 - CCL Combination Cam Lock Instructions



Factory Preset 3 digit combination code is 0-0-0.

To reset your new 3 digit combination code:

Make sure the knob is in the Locked Position as above and code is on the 0-0-0 position. Press down on the Reset Button and using the 3 wheel combination dials, create your new 3 digit code, then release the Reset Button. Your new 3 digit code is now set.

To lock, rotate knob to the locked position after closing the door and scramble the 3 dials to conceal the code.

To open the lock, turn the dials to your personal 3 digit code and rotate the knob left or right depending on the hand of the door.

Unlocking Cam lock with Master Override Key. Insert key into lock, rotate the key ANTI-CLOCKWISE to the unlock position and open door.

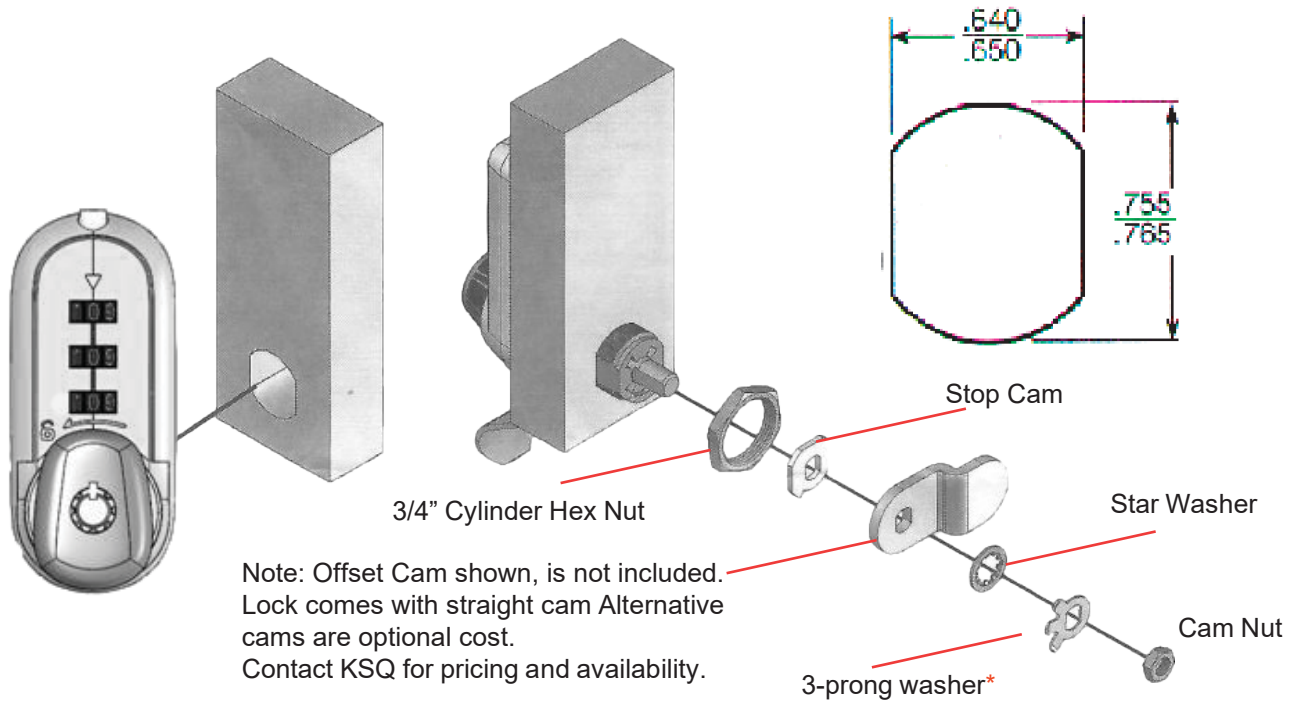
To reveal or discover an unknown combination code, insert the master key into the knob rotate ANTI CLOCKWISE. Rotate the dials one at a time until they stop. The 3 numbers revealed on the code line will be unknown combination. You can reset this combination by pressing down on the reset button, and creating a new code, or continue to use the old code.

KEYWATCH SYSTEMS QLD

www.ksq.com.au Ph (07) 5526 2726 or (07) 5600 0821 sales@ksq.com.au



KSQ 7449 - CCL Combination Cam Lock Instructions



*The 3-prong washer must be fitted and bent around the cam nut to prevent nut from loosening from regular use.

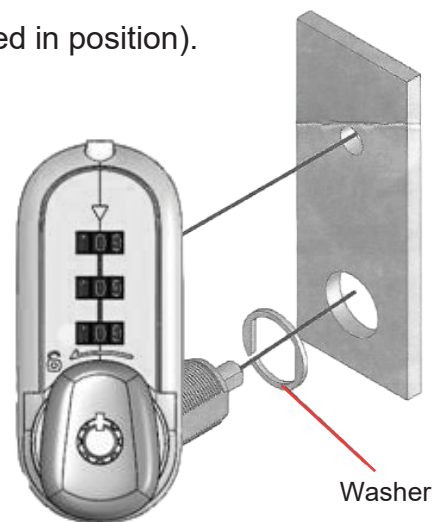
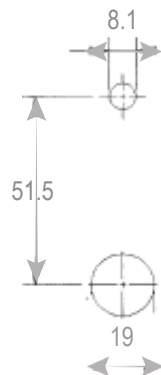
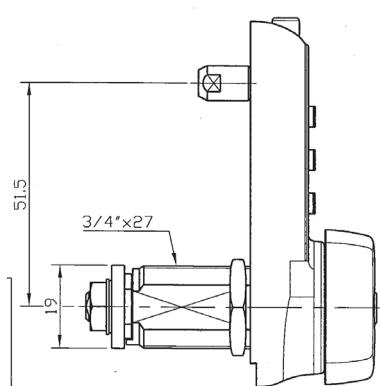
Retrofits standard 3/4" cam hole

- Cam can be placed in 180 degree increments (or 90 degrees with dual hole cams)
- Cam lock can be installed vertically or horizontally. Before installing the cam, please turn the dials to the correct combination code and then tighten the hex nut.



Stop Cam

1. Insert lock body through front of 3/4" drilled hole
2. Note distinct open indicator on front of lock. Knob will be turned to 'open' to release lock.
3. Thread cylinder nut and tighten
4. Attach 90 degree stop cam (note that stop cam needs to be placed in position).
5. Attach cam (straight or offset) onto back of lock body
6. Secure with nut and nut washer.
7. When finger pull is not installed, use flat washer.



DISCLAIMER: KeyWatch Systems QLD reserve the right to make any changes without notice to colour, dimensions, pricing and technical specifications. Please confirm prior to ordering.