

*The Ultra Combi-Cam family are some of the most popular combination locker locks in Australia and New Zealand with over 35,000 locks sold. These combination cam locks for lockers are extremely robust and reliable. No batteries are required and they are easy to install on any door material including plastic, metal and wooden cabinets or lockers.*

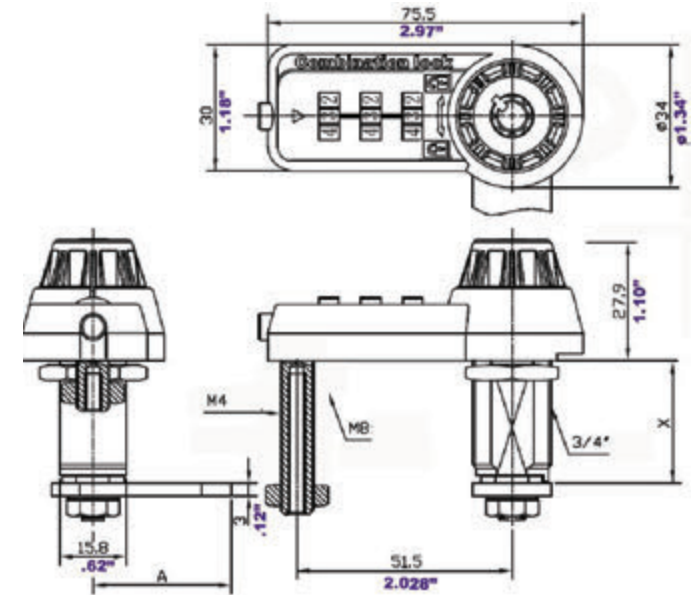
*The Ultra 7440 combination locker lock has been the perfect solution for our customers throughout Australia for the past 10 years.*

*The Ultra 7440 is the most reliable, affordable and versatile combination locker lock on the market for keyless practical access to lockers, cabinets and drawers.*



## FEATURES & OPTIONS

- Available in Black or Silver
- Master Override Key
- User changeable code; no tools required
- Code Discovery Feature for unknown or forgotten combinations
- 1,000 Combinations
- Keyed alike or to differ
- No batteries required
- Easy installation on timber, plastic, and metal lockers and cabinets
- Finger pull handle available
- Perfect for retrofitting to lockers using a conventional key operated cam lock that replaces in minutes using the same door preparation
- Special discounts for Trade and OEM cabinet and locker makers
- The Combi-Cam is available with 3 different barrel lengths for 10mm, 16mm and 20mm door thicknesses.
- Accessories available for various cams in straight and offset sizes.

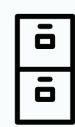


A = Cam length in inches X = Cylinder lengths in inches (5/8", 7/8", 1 1/8")

### As Used For



Gyms



Cabinets



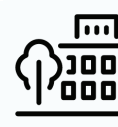
Schools



Mines



Hospitals



Universities



Offices



Libraries



Mobile Phone Lockers